

NEW TO **e**-RANGE

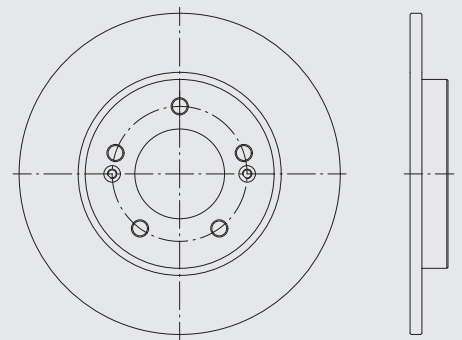
BRAKE DISCS FOR HYUNDAI i30



NISSHINBO

PART-NO.: ND6102K

Make	Model	Type	Year	Axle
HYUNDAI	i30 (PDE, PD, PDEN)	1.0 T-GDI hybrid 48V	03/20	rear
HYUNDAI	i30 (PDE, PD, PDEN)	1.5 T-GDI hybrid 48V	03/20	rear
HYUNDAI	i30 FASTBACK (PDE, PDEN)	1.0 T-GDI hybrid 48V	06/17	rear



At TMD Friction we are proud of our ability to deliver premium O.E. braking solutions to the global aftermarket, proving our credentials as industry leaders for friction products. As part of the Nisshinbo group - the largest original friction supplier to Asian vehicles - we provide our customers with an unrivalled range of O.E. brake friction for Asian vehicles with the Nisshinbo brand.

For further product information please visit:

