

NEW TO **e**-RANGE

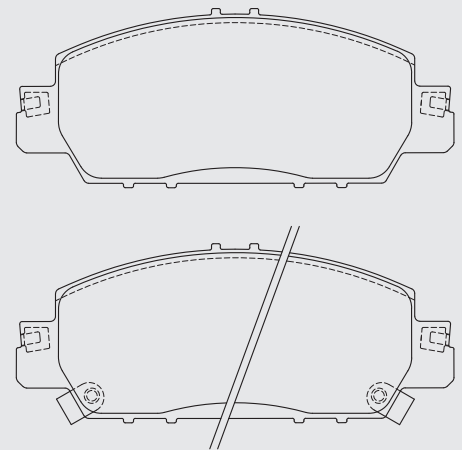
BRAKE PADS FOR HONDA E



NISSHINBO

PART-NO.: NP8059

Make	Model	Type	Year	Axle
HONDA	e (ZC7_)	Electric (ZC7)	09/19	front
HONDA	e (ZC7_)	Electric Advance (ZC7)	09/19	front



At TMD Friction we are proud of our ability to deliver premium O.E. braking solutions to the global aftermarket, proving our credentials as industry leaders for friction products. As part of the Nisshinbo group - the largest original friction supplier to Asian vehicles - we provide our customers with an unrivalled range of O.E. brake friction for Asian vehicles with the Nisshinbo brand.

For further product information please visit:

