

NEW TO **e**-RANGE

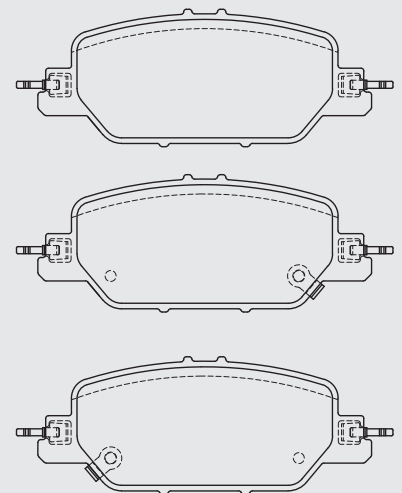
BRAKE PADS FOR ELECTRIC AND HYBRID CARS



NISSHINBO

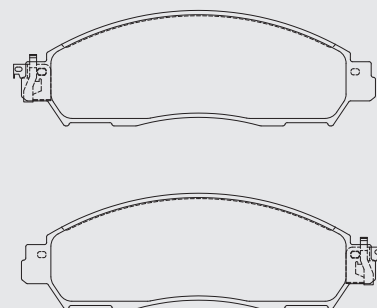
PART-NO.: NP8056

Make	Model	Type	Year	Axle
HONDA	CR-V V (RW_, RT_)	2.0 e-CVT Hybrid (RT5)	12/18	rear
HONDA	CR-V V (RW_, RT_)	2.0 e-CVT Hybrid AWD (RT6)	12/18	rear
HONDA (DONGFENG)	CR-V (RT_, RW_)	2.0 Hybrid	07/17	rear
HONDA (DONGFENG)	CR-V (RT_, RW_)	Hybrid AWD	10/18	rear



PART-NO.: NP2106

Make	Model	Type	Year	Axle
NISSAN	LEAF (ZE1_)	Electric	01/19	front



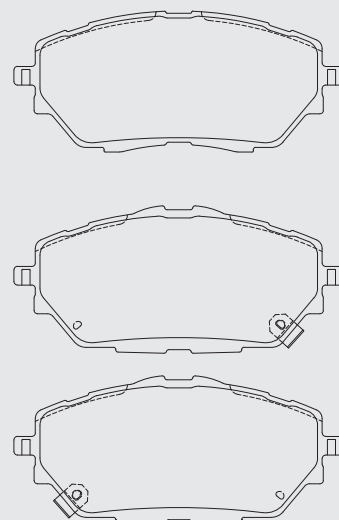
PART-NO.: NP1167

Make	Model	Type	Year	Axle
TOYOTA	CAMRY (_V7_, _VA7_, _VH7_)	2.5 Hybrid (AXVH71_)	08/17	front



PART-NO.: NP1170

Make	Model	Type	Year	Axle
TOYOTA	C-HR (_X1_)	1.8 Hybrid (ZYG10_, ZYG11_)	10/16	front
TOYOTA	C-HR (_X1_)	2.0 Hybrid (MAXH10)	10/19	front
TOYOTA	COROLLA Estate (_E21_)	2.0 Hybrid (MZEH12)	02/19	front
TOYOTA	COROLLA Hatch-back (_E21_)	2.0 Hybrid (MZEH12)	02/19	front



At TMD Friction we are proud of our ability to deliver premium O.E. braking solutions to the global aftermarket, proving our credentials as industry leaders for friction products. As part of the Nisshinbo group - the largest original friction supplier to Asian vehicles - we provide our customers with an unrivalled range of O.E. brake friction for Asian vehicles with the Nisshinbo brand.

For further product information please visit:

