

NEW TO MARKET[★]

Brake Pads for the new Mazda CX3

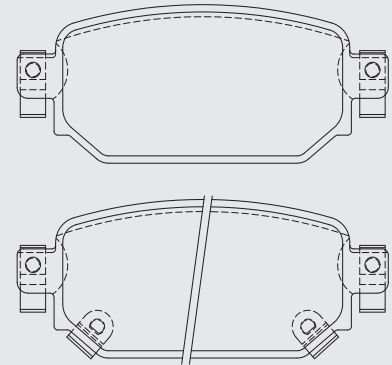


NISSHINBO

PART-NO.: NP5072

Make	Model	Type	Year	Axle
MAZDA	CX-3 (DK)	1.8 SKYACTIV-D/ 1.8 SKYACTIV-D AWD	02/18 -	rear

**Comparison based on TecDoc analysis from 10/2020 and Independent Aftermarket brands.*



At TMD Friction we are proud of our ability to deliver premium O.E. braking solutions to the global aftermarket, proving our credentials as industry leaders for friction products. As part of the Nisshinbo group - the largest original friction supplier to Asian vehicles - we provide our customers with an unrivalled range of O.E. brake friction for Asian vehicles with the Nisshinbo brand.

For further product information please visit:

